



Buy it for looks. Buy it for life.®

# Specifications

## DESCRIPTION

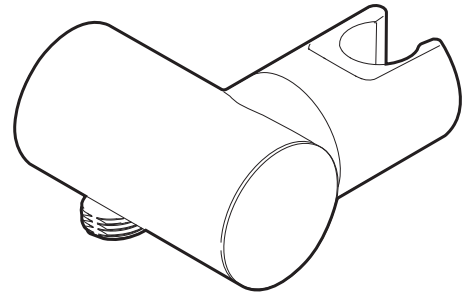
- Metal construction with various finishes identified by suffix
- Drop ell with integrated holder for hand shower
- +/- 10° of rotational adjustments
- 1/2" IPS connection
- **Mounts with handshower holder on right side only**

## STANDARDS

- Third party certified to ASME A112.18.1/CSA B125.1 and all applicable requirements referenced therein

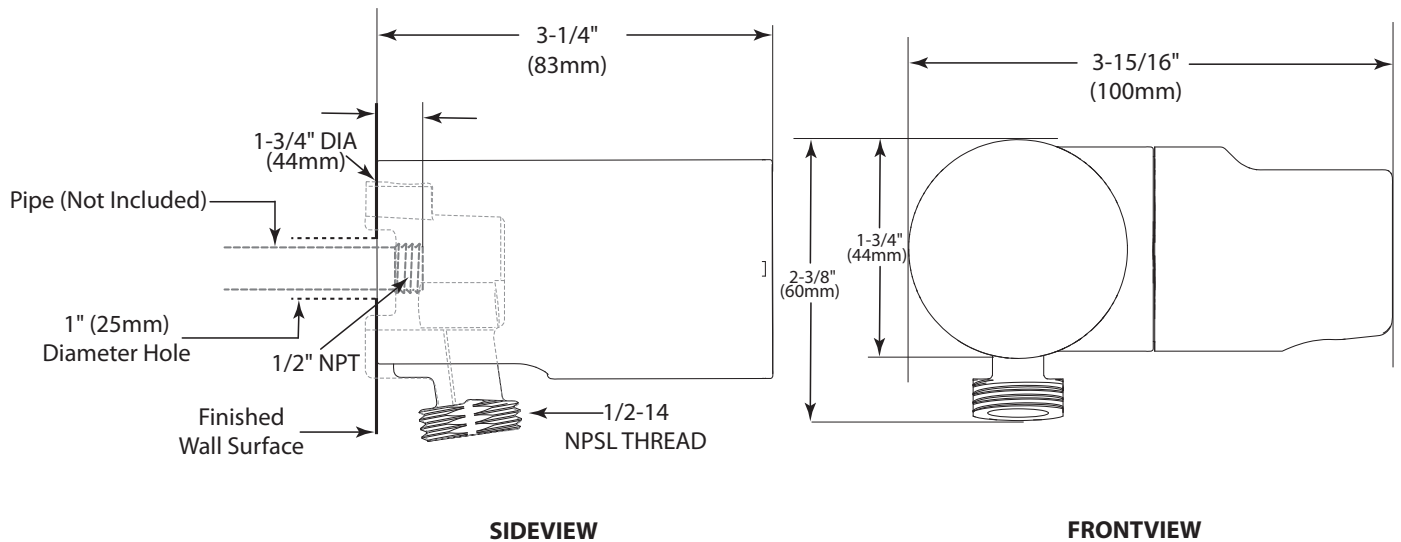
## WARRANTY

- Lifetime limited warranty against leaks, drips and finish defects to the original consumer purchaser
- 5 year warranty if used in commercial installations



## Drop Ell with Handshower Cradle

**Models:** A755 series



## CRITICAL DIMENSIONS

(DO NOT SCALE)

FOR MORE INFORMATION CALL: 1-800-BUY-MOEN

[www.moen.com](http://www.moen.com)